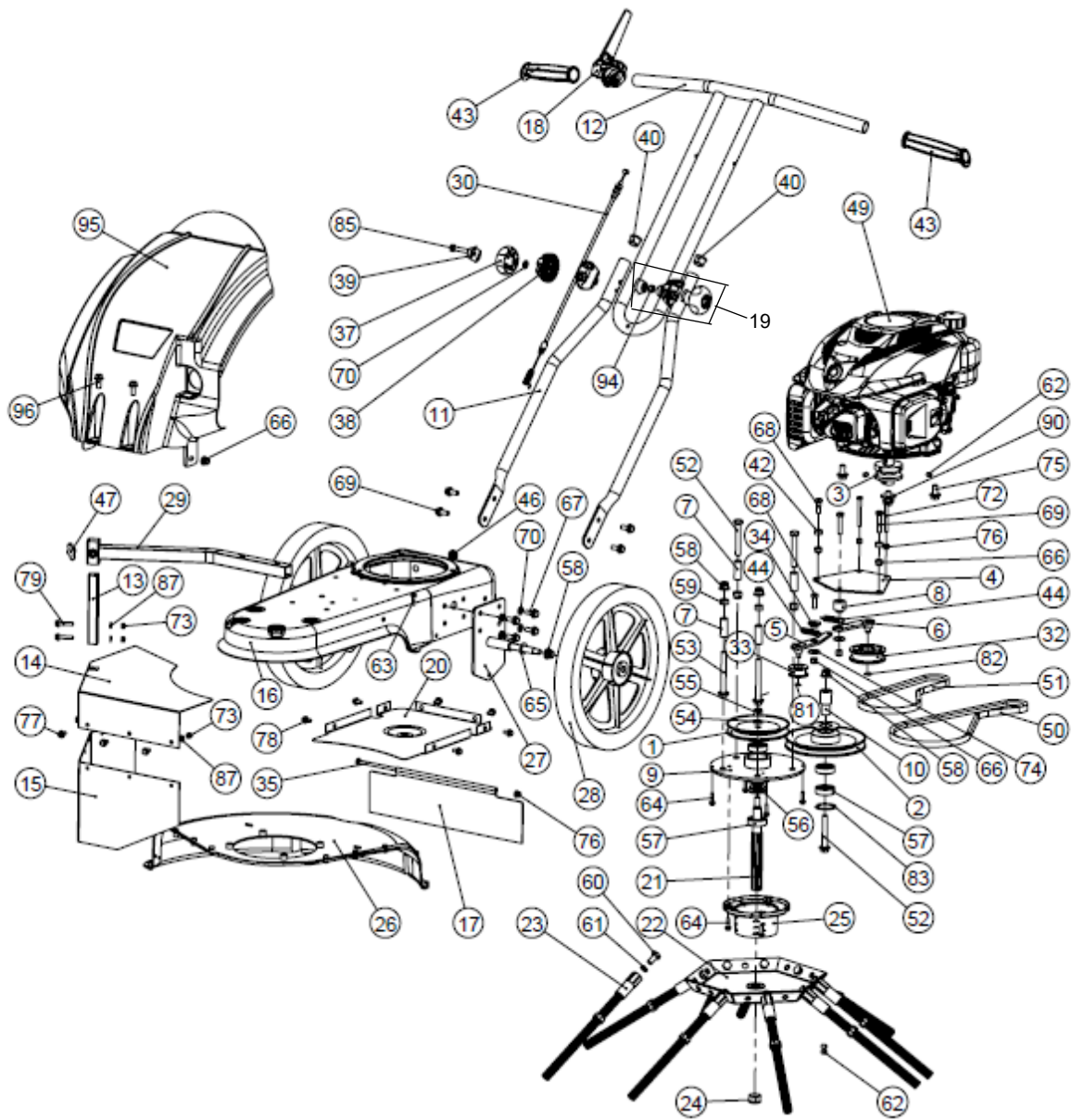


Model: Pro Weed 710

Part Number: 90061107

Year: 2021



| POS | QTY | PARTNUMBER | BESKRIVELSE | DESCRIPTION |
|-----|-----|------------|---|--------------------------------|
| 1 | 1 | 447995 | REMHJUL | OUTPUT BELT PULLEY |
| 2 | 1 | 447996 | REMHJUL | MIDDLE BELT PULLEY |
| 3 | 1 | 447997 | DRIVHJUL | DRIVING PULLEY |
| 4 | 1 | 447998 | BESLAG | TENSION BRACKET |
| 5 | 1 | 447999 | BESLAG 2 | TENSION BRACKET 2 |
| 6 | 1 | 448000 | BESLAG 1 | TENSION BRACKET 1 |
| 7 | 4 | 448001 | BØS | BRUSHING 1 |
| 8 | 1 | 448002 | BØS | TENSION BRUSHING |
| 9 | 1 | 448003 | LEJEHUS | OUTPUT BEARING BASE |
| 10 | 1 | 448004 | LEJE | BUSHING FOR MIDDLE BELT PULLEY |
| 11 | 1 | 448006 | NEDRE STYR | LOWER T HANDLE |
| 12 | 1 | 448005 | ØVRE T-STYR | UPPER T HANDLE |
| 13 | 1 | 447992 | STANG | TUBE FOR GUARD |
| 14 | 1 | 448007 | BESKYTTELSESSKÆRM | UPPER COVER OF BRUSH |
| 15 | 1 | 448008 | PLASTIKSKÆRM | PVC COVER |
| 16 | 1 | 441130 | SKJOLD | CHASSIS |
| 17 | 1 | 435742 | BESKYTTELSESPLADE | GUARD |
| 18 | 1 | 447975 | KOBLINGSHÅNDTAG | CE CLUTCH HANDLE |
| 19 | 1 | 400500612 | OMBYGNINGSSÆT FUTURA 5004+6003 | MODIFICATION KIT |
| 20 | 1 | 444293 | SKÆRM NEDERST | LOWER GUARD |
| 21 | 1 | 438962 | AKSEL | TRIM SHAFT |
| 22 | 1 | 447985 | BØRSTEHOLDER | BRUSH PLATE WELDING |
| 23 | 9 | 90061098 | BØRSTESÆT NYLON/METAL 9 STK. | BRUSH SET/9 PCS. NYLON/METAL |
| 24 | 2 | 441142 | HÆTTE | CAP FOR SHAFT |
| 25 | 1 | 438967 | DÆKSEL ØVERST | COVER FOR CUTTING HEAD UPPER |
| 26 | 1 | 435736 | COVER | SHIELD COVER |
| 27 | 2 | 441147 | HJULAKSEL | WHEEL BRACKET |
| 28 | 2 | 438979 | HJUL 1.75X14 | WHEEL 1.75X14 |
| 29 | 1 | 444303 | STØTTEARM FOR BESKYTTELSESSKÆRM | BASE SUPPORT |
| 30 | 1 | 448010 | KOBLINGSKABEL | CLUTCH CABLE |
| 32 | 1 | 448011 | STRAMMERULLE | FORWARD TENSION ROLL |
| 33 | 1 | 90307779 | STRAMMERULLE Ø30 | TENSION ROLL Ø30 |
| 34 | 1 | 30000046 | SKIVE PLAST | WASHER |
| 35 | 1 | 438957 | LANG BOLT M6X285 | LONG BOLT |
| 37 | 2 | 414311 | HÅNDHJUL | KNOB |
| 38 | 4 | 414315 | HOLDER FOR STYR | HOLDER |
| 39 | 4 | 425845 | PLASTKLODS FOR HÅNDTAG | BLOCK |
| 40 | 2 | 414313 | PROP | PLUG |
| 42 | 2 | 421645 | BØS | BUSHING |
| 43 | 2 | 414303 | GUMMIHÅNDTAG | HANDLE |
| 44 | 2 | 30000050 | RETURFJEDER | RETURN SPRING |
| 46 | 2 | 438944 | GUMMIRING | RUBBER RING |
| 47 | 1 | 444307 | FINGSKRUE BOR BESLAG TIL BESKYTTELSESARM M8 | KNOB M8 |
| 49 | 1 | TG595-2 | TG595 | |
| 50 | 1 | 448015 | KILEREM | BELT A900 |
| 51 | 1 | 448016 | KILEREM | BELT A650 |

| POS | QTY | PARTNUMBER | BESKRIVELSE | DESCRIPTION |
|-----|-----|------------|-------------------------|----------------------------|
| 52 | 3 | 438964 | BOLT M10X70 | FLANGE BOLT M10X70 |
| 53 | 2 | 444308 | BOLT M10X100 | BOLT M10X100 |
| 54 | 1 | 90102311 | PLANSKIVE M10 | FACE PLATE M10 |
| 55 | 1 | 444522 | MØTRIK M10 | NUT M10 |
| 56 | 2 | 444296 | FJEDERSKIVE 17.3X23X0.4 | WAVE SPRING WASHERS 16 |
| 57 | 4 | 438960 | KUGLELEJE | BALL BEARING 6203 2RZ |
| 58 | 7 | 438954 | LÅSEMØTRIK M10 | FLANGE LOCKING NUT M10 |
| 59 | 2 | 90100663 | MØTRIK M10 | NUT M10 |
| 60 | 9 | 90102771 | SÆTBOLT 8.8 M10X20 | SET BOLT M10X20 |
| 61 | 9 | 438945 | FJEDERSKIVE 10 | SPRING WASHER 10 |
| 62 | 4 | 438965 | HEXAGON SKRUE M8X10 | HEXAGON SOCKET SCREW M8X10 |
| 63 | 2 | 438974 | SKRUE ST4.8X19 | TAPPING SCREW ST4.8X19 |
| 64 | 7 | 444297 | SKRUE M5X20 | TAPPING LOCK SCREW M5X20 |
| 65 | 2 | 444299 | SKIVE 12 | WAVE SPRING WASHER 12 |
| 66 | 13 | 90100662 | MØTRIK M8 | NUT M8 |
| 67 | 4 | 90102911 | STÅLBOLT 8.8 M8X20 | STEEL BOLT M8X20 |
| 67 | 8 | 438978 | BOLT M8X20 | BOLT M8X20 |
| 68 | 2 | 448017 | FLANGEBOLT M8X25 | HEXAGON FLANGE BOLT M8X25 |
| 69 | 2 | 442294 | BOLT M8X40 | BOLT M8X40 |
| 70 | 11 | 90102310 | PLANSKIVE M8 | FACE PLATE M8 |
| 72 | 2 | 448018 | BOLT M6X50 | BOLT M6X50 |
| 74 | 2 | 90102310 | PLANSKIVE M8 | FACE PLATE M8 |
| 75 | 3 | 447983 | SKRUE M10X20 | TAPPING LOCK SCREW M10X20 |
| 77 | 8 | 448019 | BOLT M6X12 | BOLT M6X12 |
| 73 | 13 | 90100661 | MØTRIK M6 | NUT M6 |
| 78 | 6 | 438947 | BOLT M6X14 | FLANGE BOLT M6X14 |
| 79 | 2 | 438937 | BOLT M6X30 | BOLT M6X30 |
| 81 | 1 | 90102476 | LÅSERING 8MM | RETAINER RING U 8 |
| 82 | 1 | 90102480 | SEEGERRING SORT U 10 | RETAINER RING U 10 |
| 83 | 1 | 448020 | LÅSERING | CIRCLIP FOR HOLE 40 |
| 85 | 2 | 90102929 | STÅLBOLT 8.8 M8X100 | STEEL BOLT M8X100 |
| 90 | 1 | 90102311 | PLANSKIVE M10 | FACE PLATE M10 |
| 87 | 8 | 442326 | SKIVE 6 | WASHER 6 |
| 94 | 2 | 437449 | MØTRIK M8 | NUT M8 |
| 95 | 1 | 430136 | COVER FOR MOTOR | BIG ENGINE COVER |
| 96 | 3 | 444298 | BOLT M8X16 | FLANGE BOLT M8X16 |